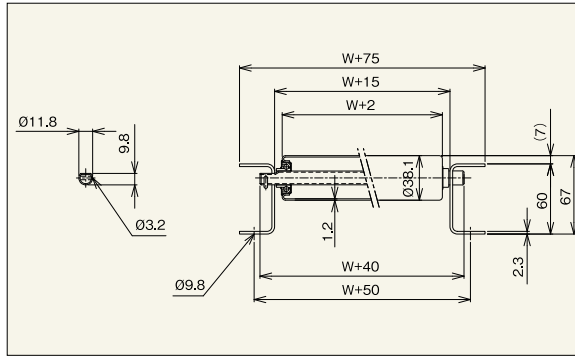


R-3812P



*The connector plate is an optional extra.



[Intended Application]
 Conveying light to medium loads
 Ideal for conveying small items
[Product Characteristics]
 1) Idler diameter is $\phi 38.1$, idler pitch is min. P50.
 2) Idler width (nominal) is 100W-1,000W in standard increments of 50mm.
 3) Most versatile for conveying light to medium loads
 4) Pressed bearing, low-cost, best-selling $\phi 38$ product.
 5) [60 standard frame
Caution 1. Please indicate the connector plate (the connecting part between conveyors) separately when required.
Caution 2. If the idler pitch (P) is not cleanly divisible, then a suitable pitch (P) will be chosen.



Unit Width / Idler Strength / Standard Weight

Idler Width (Nominal) W (mm)	100	200	300	400	500	600	700	800	900	1,000
Unit Width W+75 (mm)	175	275	375	475	575	675	775	875	975	1,075
Strength of One Idler (kg)	144	144	94	80	60	48	42	38	35	32
Conveyor Standard	50P	25.5	33.9	42.4	50.9	59.5	66.1	74.5	83.3	91.9
	75P	21.3	27.1	32.9	38.7	44.5	48.5	54.3	60.3	66.2
Idler / Shaft Standard Weight (g)	209	342	476	611	746	881	1,014	1,151	1,285	1,422

Caution 1. Idler strength has been calculated using the standard specifications of our company's standard conveyors and shafts. Please take care if you are providing your own shafts or frame.
Caution 2. The strength changes according to the conditions of use (whether there is impact or not). The values given in the chart are approximate values, and are not guaranteed.

Idler Unit Specifications

Conveyor Model	Idler Unit Model	Idler Dimensions			Idler Width				Free size	Idler Specifications			Bearing
		Outer Diameter (φ)	Wall Thickness (t)	Shaft Indent (φ)	Standard Idler Width (Nominal) W	Standard Full Idler Length BB	Possible Width			Material	Surface Treatment	Specifications	
							Minimum Width (W)	Maximum Width (W)					
R-3812P	R-3812P	38.1	1.2	12.2	100 - 1,000	W+13	100	1,000	50mm Increm.	STKM11A	Molten zinc plating	Pressed	

Standard Shaft Specifications

Nominal Diameter (Actual Diameter) × Thickness (φ)	Wall (t)	Shaft Length (mm)	Shape	Finish	Material	Plating
12 (11.8) × 1.0	W+40	Pipe	Circular/Vertical crescent pin hole	STKM11A	X	

Idler Conveyor Specifications

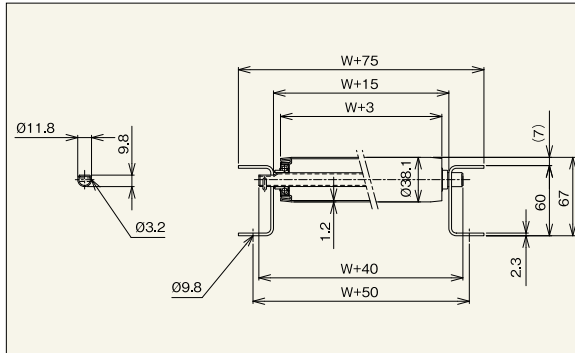
Height x Width x Wall Thickness I x K x t	Material	Surface Treatment	Manufactured Range of Standard Lengths				Standard Idler Pitch	Unit Height (Idler Upper Surface) H	
			Unit Length L						
			1,000	1,500	2,000	3,000			
[60×30×2.3	Steel	Baked-on coating	Y	Y	Y	Y	Y	50 / 75 100 / 150	67

R-3812PD

Compatible with R-3812P Free Size Idler



*The connector plate is an optional extra.



[Intended Application]
 Conveying light to medium loads
[Product Characteristics]
 1) Idler diameter is $\phi 38.1$, idler pitch is min. P50.
 2) Idler width (nominal) is 100W-1,000W in standard increments of 50mm. Free sizes are also possible.
 3) Pressed bearing, low-cost
 4) [60 standard frame
Caution 1: Please indicate the connector plate (the connecting part between conveyors) separately when required.
Caution 2: If the idler pitch (P) is not cleanly divisible, then a suitable pitch (P) will be chosen.

Unit Width / Idler Strength / Standard Weight

Idler Width (Nominal) W (mm)	100	200	300	400	500	600	700	800	900	1,000
Unit Width W+75 (mm)	175	275	375	475	575	675	775	875	975	1,075
Strength of One Idler (kg)	138	126	82	70	60	45	42	35	32	28
Conveyor Standard	50P	26.3	34.7	43.2	51.7	60.3	66.3	75.4	84.1	92.7
	75P	21.9	27.7	33.5	39.3	45.1	48.6	54.9	60.8	66.7
Idler / Shaft Standard Weight (g)	223	356	490	625	760	885	1,028	1,165	1,299	1,436

Caution 1: Idler strength has been calculated using the standard specifications of our company's standard conveyors and shafts. Please take care if you are providing your own shafts or frame.
Caution 2: The strength changes according to the conditions of use (whether there is impact or not). The values given in the chart are approximate values, and are not guaranteed.

Idler Unit Specifications

Conveyor Model	Idler Unit Model	Idler Dimensions			Idler Width				Free Size	Idler Specifications			Bearing
		Outer Diameter (φ)	Wall Thickness (t)	Shaft Indent (φ)	Standard Idler Width (Nominal) W	Standard Full Idler Length BB	Possible Width			Material	Surface Treatment	Specifications	
							Minimum Width (W)	Maximum Width (W)					
R-3812PD	R-3812PD	38.1	1.2	12.2	100 - 1,000	W+13	40	1,200	Y	STKM11A	Molten zinc plating	Pressed	

Standard Shaft Specifications

Nominal Diameter (Actual Diameter) × Thickness (φ)	Wall (t)	Shaft Length (mm)	Shape	Finish	Material	Plating
12 (11.8) × 1.0	W+40	Pipe	Circular/Horizontal crescent pin hole	STKM11A	X	

Idler Conveyor Specifications

Height x Width x Wall Thickness I x K x t	Material	Surface Treatment	Manufactured Range of Standard Lengths				Standard Idler Pitch	Unit Height (Idler Upper Surface) H	
			Unit Length L						
			1,000	1,500	2,000	3,000			
[60×30×2.3	Steel	Baked-on coating	Y	Y	Y	Y	Y	50 / 75 100 / 150	67

Steel Idler Conveyor