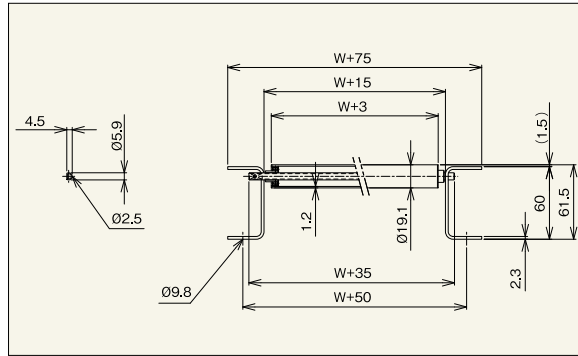


R-1912P



*The connector plate is an optional extra.



[Intended Application]
Conveying very light loads
Ideal for conveying small items
[Product Characteristics]
1) Idler diameter is $\phi 19.1$, idler pitch is min. P20.
2) Idler width (nominal) is 100W-500W in standard increments of 50mm. Free sizes are also possible.
3) Pressed bearing, low-cost, best-selling $\phi 19$ product.
4) [60 standard frame
Caution 1. Please indicate the connector plate (the connecting part between conveyors) separately when required.
Caution 2. The shaft stopper will be a wire stopper.
Caution 3. If the idler pitch (P) is not cleanly divisible, then a suitable pitch (P) will be chosen.



Unit Width / Idler Strength / Standard Weight					
Idler Width (Nominal) W (mm)	100	200	300	400	500
Unit Width W+75 (mm)	175	275	375	475	575
Strength of One Idler (kg)	44	21	14	10	8
Conveyor Standard	20P	24.8	34.4	44.1	53.9
Weight 3,000L (kg)	25P	22.5	30.2	38.1	45.9
Idler / Shaft Standard Weight (g)	79	140	202	264	326

Caution 1. Idler strength has been calculated using the standard specifications of our company's standard conveyors and shafts. Please take care if you are providing your own shafts or frame.
Caution 2. The strength changes according to the conditions of use (whether there is impact or not). The values given in the chart are approximate values, and are not guaranteed.

Idler Unit Specifications

Conveyor Model	Idler Unit Model	Idler Dimensions			Idler Width				Free Size	Idler Specifications			Bearing
		Outer Diameter (ϕ)	Wall Thickness (t)	Shaft Indent (ϕ)	Standard Idler Width (Nominal) W	Standard Full Idler Length BB	Possible Width			Material	Surface Treatment	Specifications	
							Minimum Width (W)	Maximum Width (W)					
R-1912P	R-1912P	19.1	1.2	6.2	100 - 500	W+13	40	600	Y	STKM12A	Molten zinc plating	Pressed	

Standard Shaft Specifications

Nominal Diameter (Actual Diameter) \times Thickness (ϕ)	Wall Thickness (t)	Shaft Length (mm)	Shape	Finish	Material	Plating
6 (5.9)	$\times 0.7$	W+35	Pipe	Circular/Vertical crescent pin hole	STKM11A	X

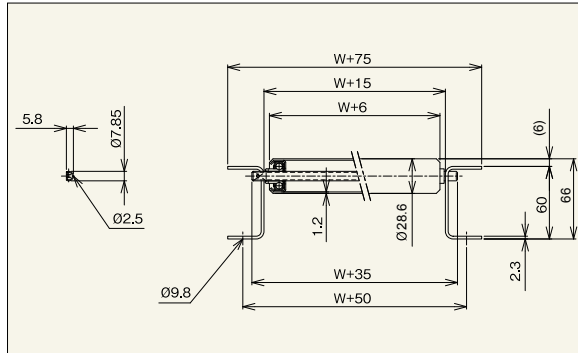
Idler Conveyor Specifications

Frame Specifications			Manufactured Range of Standard Lengths				Standard Idler Pitch	Unit Height (Idler Upper Surface) H	
Height x Width x Wall Thickness l x K x t	Material	Surface Treatment	Unit Length L						
			1,000	1,500	2,000	3,000	R900 Inner Curve	Pitch P	
[60 \times 30 \times 2.3	Steel	Baked-on coating	Y	Y	Y	Y	Y	20 / 25 / 30	61.5

R-2812P



*The connector plate is an optional extra.



[Intended Application]
Conveying light loads
Ideal for conveying small items
[Product Characteristics]
1) Idler diameter is $\phi 28.6$, idler pitch is min. P30.
2) Idler width (nominal) is 100W-500W in standard increments of 50mm. Free sizes are also possible.
3) Pressed bearing, low-cost, best-selling $\phi 28$ product.
4) [60 standard frame
Caution 1. Please indicate the connector plate (the connecting part between conveyors) separately when required.
Caution 2. If the idler pitch is below P50, then the shaft stopper will be a wire stopper.
Caution 3. If the idler pitch (P) is not cleanly divisible, then a suitable pitch (P) will be chosen.



Unit Width/Idler Strength/Approximate Conveyor Weight					
Idler Width (Nominal) W (mm)	100	200	300	400	500
Unit Width W+75 (mm)	175	275	375	475	575
Strength of One Idler (kg)	50	50	42	31	25
Conveyor Standard	30P	28.3	38.3	48.3	58.4
Weight 3,000L (kg)	40P	24.5	32.1	39.7	47.3
Idler / Shaft Standard Weight (g)	153	249	345	441	536

Caution 1. Idler strength has been calculated using the standard specifications of our company's standard conveyors and shafts. Please take care if you are providing your own shafts or frame.
Caution 2. The strength changes according to the conditions of use (whether there is impact or not). The values given in the chart are approximate values, and are not guaranteed.

Idler Unit Specifications

Conveyor Model	Idler Unit Model	Idler Dimensions			Idler Width				Free Size	Idler Specifications			Bearing
		Outer Diameter (ϕ)	Wall Thickness (t)	Shaft Indent (ϕ)	Standard Idler Width (Nominal) W	Standard Full Idler Length BB	Possible Width			Material	Surface Treatment	Specifications	
							Minimum Width (W)	Maximum Width (W)					
R-2812P	R-2812P	28.6	1.2	8.2	100 - 500	W+13	40	600	Y	STKM12A	Molten zinc plating	Pressed	

Standard Shaft Specifications

Nominal Diameter (Actual Diameter) \times Thickness (ϕ)	Wall Thickness (t)	Shaft Length (mm)	Shape	Finish	Material	Plating
8 (7.85)	$\times 0.8$	W+35	Pipe	Circular/Vertical crescent pin hole	STKM11A	X

Idler Conveyor Specifications

Frame Specifications			Manufactured Range of Standard Lengths				Standard Idler Pitch	Unit Height (Idler Upper Surface) H	
Height x Width x Wall Thickness l x K x t	Material	Surface Treatment	Unit Length L						
			1,000	1,500	2,000	3,000	R900 Inner Curve	Pitch P	
[60 \times 30 \times 2.3	Steel	Baked-on coating	Y	Y	Y	Y	Y	30 / 40 50 / 75	66